





## VALVE BOX – SIDEWALKS AND PAVEMENT

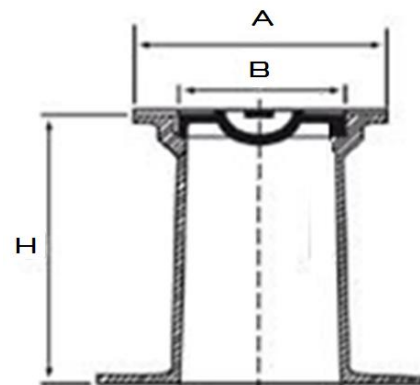
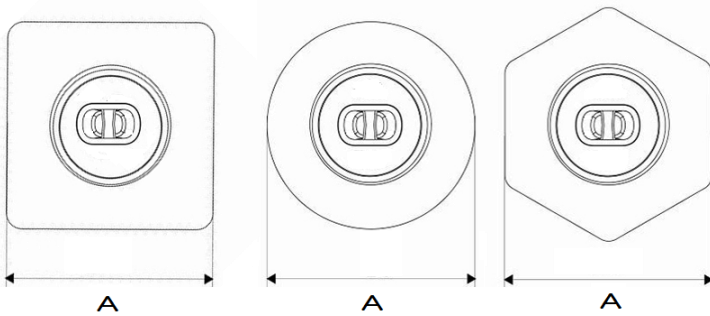


### ■ Dimensions and weight

Reference	Diagram	A	B Clear opening	H	Weight in kg For information only
BACR		DIAM 140	Ø 100	150	3.7
BACC		140	Ø 100	150	3.7
BACH		140	Ø 100	150	3.7
BARRAL R, C ou H		180	Ø 150	200 à 300	8

### ■ Options

Personalised marking  
Lock



	Cover	Frame
Material	EN-GJS-500-7	
Coating	Black peint	