



GRID HOOD C250 - TYPE A AND T 500X500 MM

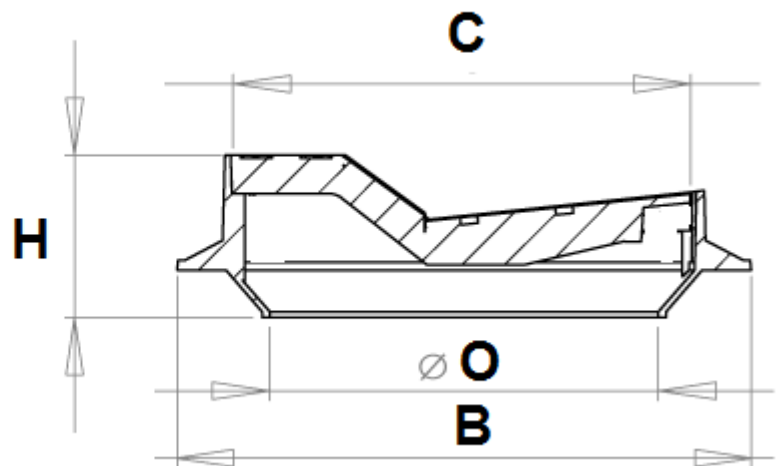
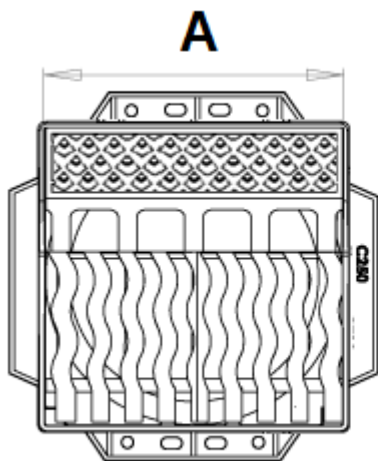


■ Dimensions and weight

Reference	Diagram	A	B	C	H	O	Weight in kg For information only
GAC A		500	605	175	150	Ø 405	51
GAC T		500	605	230	150	Ø 405	56

■ Options

- Personalised marking
- Lock



	Cover	Frame
Material	EN-GJS-500-7	
Coating	Black paint	