



**CONNECTION MANHOLE– CLASS C250
TYPES RL360 ET RL480.**

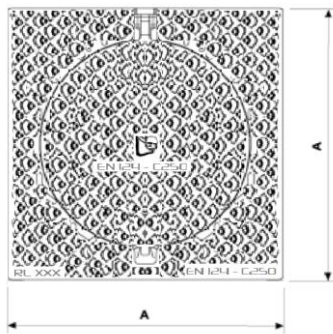


■ Dimensions and weight

Reference	Diagram	A	B Clear opening	H	Weight in kg For information only
RL360		360	Ø 225	160	15.5
RL460		460	Ø 290	170	30

■ Characteristics

Norme : **EN 124**
 CLASS : **C250**
 Certified by an accredited company
 Opening upper than 100° after jointed
 Articuled frame Lock



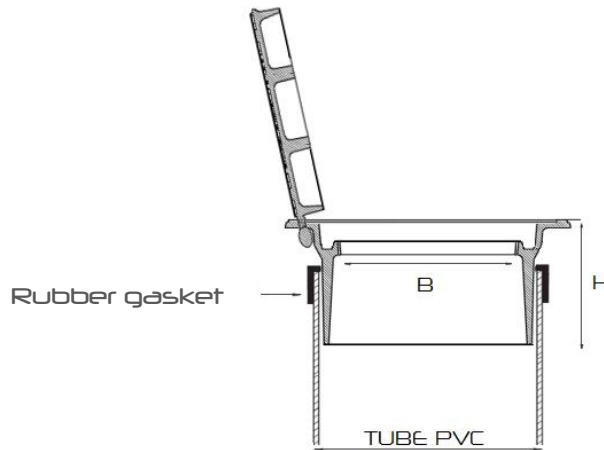
A

A

* Outside dimensions frame

■ Options

Personnalised marking
 Marking EU, EP, RWA, DWA



	Cover	Frame
Material	EN-GJS-500-7	
Coating	Black peint	